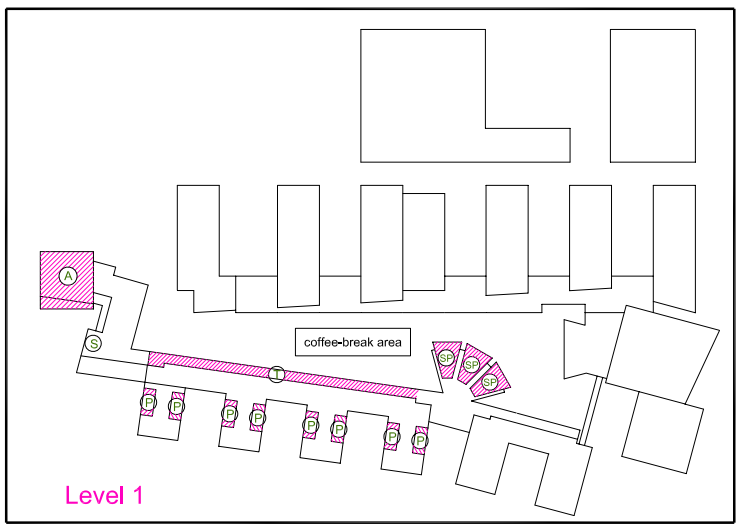


R. Dr. Roberto Frias

Entrance

Plan of level 0



Level 1

LEGEND

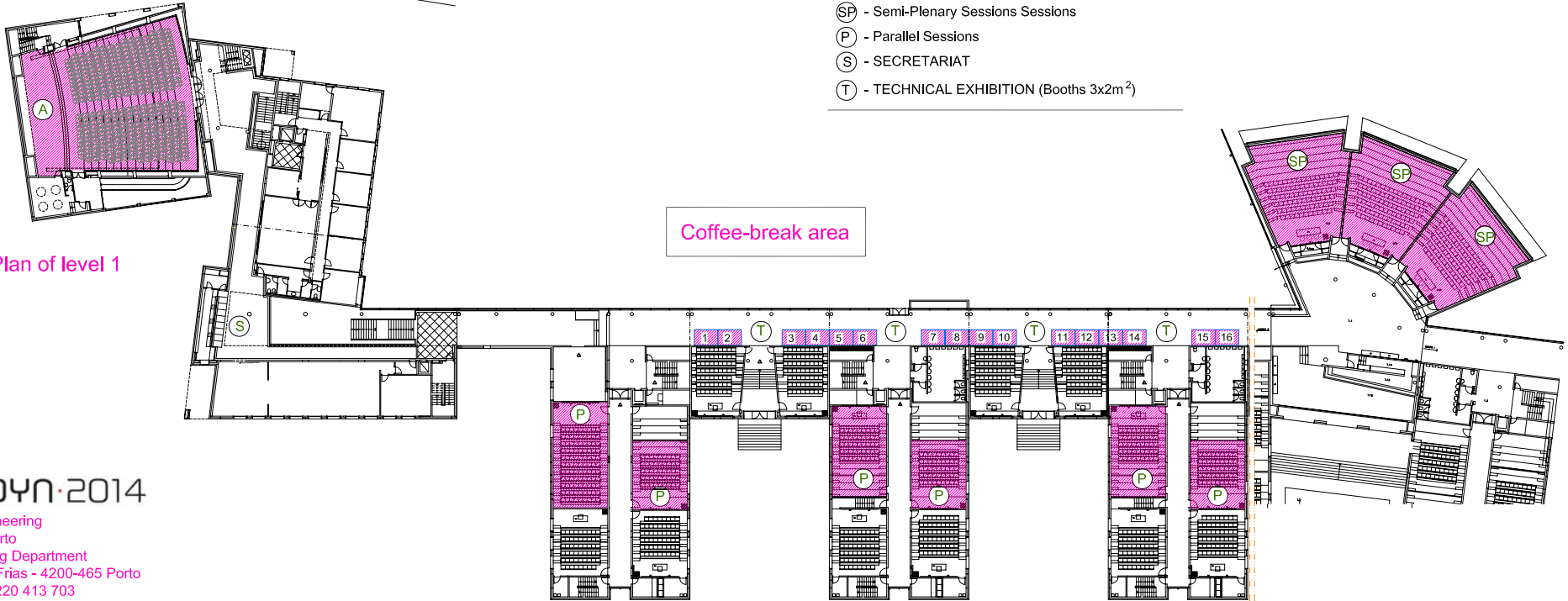
- (A) - AUDITORIUM (Plenary Sessions)
- (SP) - Semi-Plenary Sessions Sessions
- (P) - Parallel Sessions
- (S) - SECRETARIAT
- (T) - TECHNICAL EXHIBITION (Booths 3x2m²)

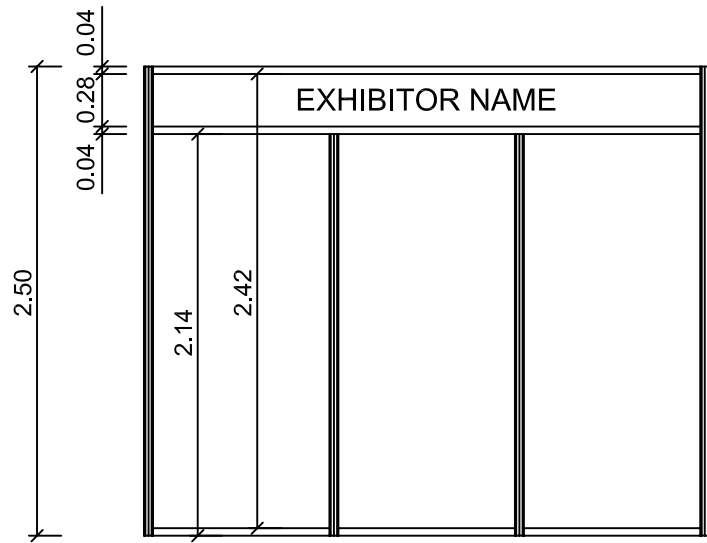
Plan of level 1

Coffee-break area

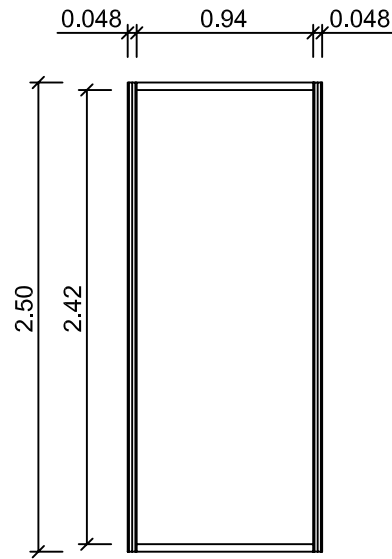
EURODYN 2014

Faculty of Engineering
 University of Porto
 Civil Engineering Department
 R. Dr. Roberto Frias - 4200-465 Porto
 Phone: (+351) 220 413 703
 Web page: <http://www.fe.up.pt/eurodyn2014>
 e-mail: eurodyn2014@fe.up.pt

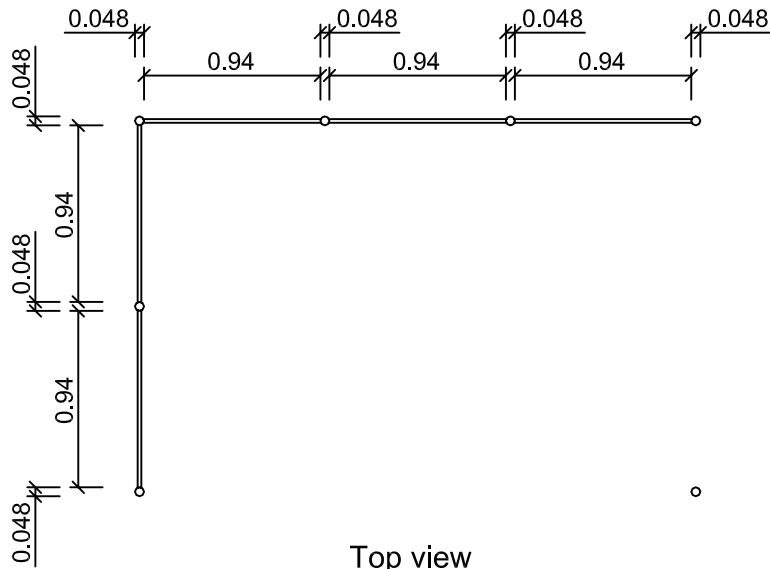




Front view



Single pannel

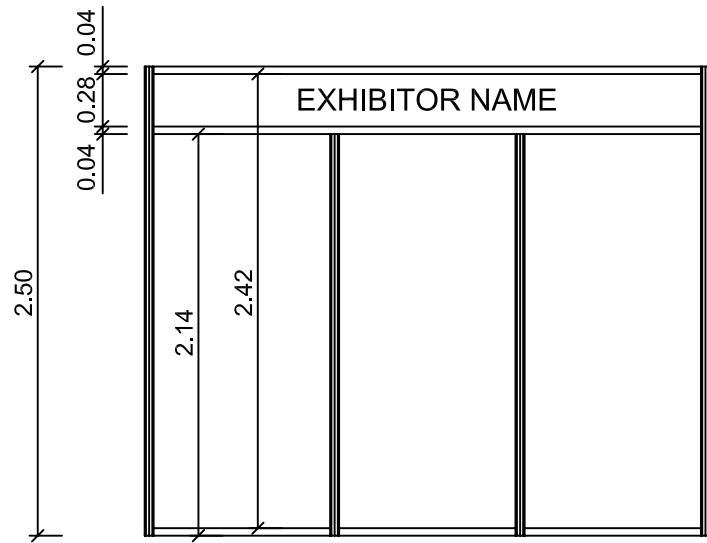


Top view

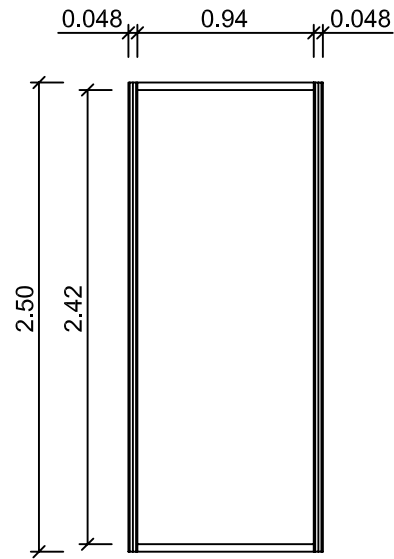
L shaped booth
(n° 1,2,3,6,7,10,11,14,15)
units [m]

EURODYN·2014

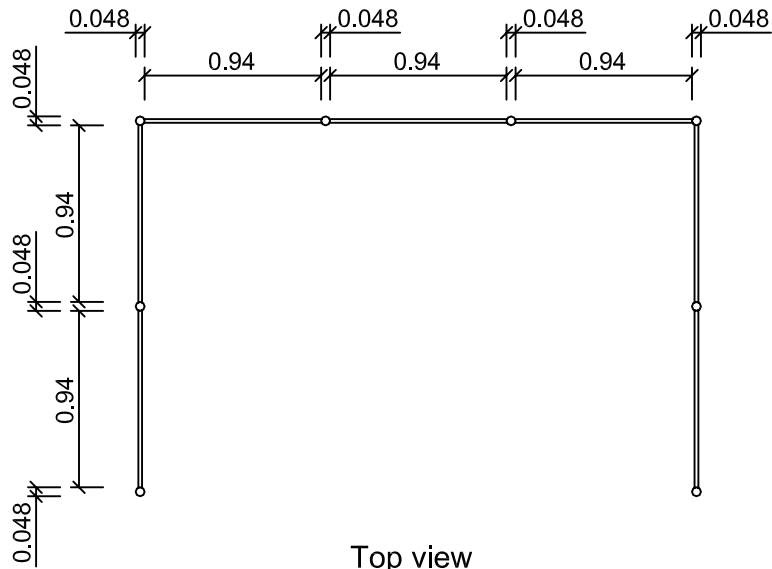
Faculty of Engineering
University of Porto
Civil Engineering Department
R. Dr. Roberto Frias - 4200-465 Porto
Phone: (+351) 220 413 703
Web page: <http://www.fe.up.pt/eurodyn2014>
e-mail: eurodyn2014@fe.up.pt



Front view



Single pannel



Top view

U shaped booth (all)

units [m]

EURODYN·2014

Faculty of Engineering
 University of Porto
 Civil Engineering Department
 R. Dr. Roberto Frias - 4200-465 Porto
 Phone: (+351) 220 413 703
 Web page: <http://www.fe.up.pt/eurodyn2014>
 e-mail: eurodyn2014@fe.up.pt